



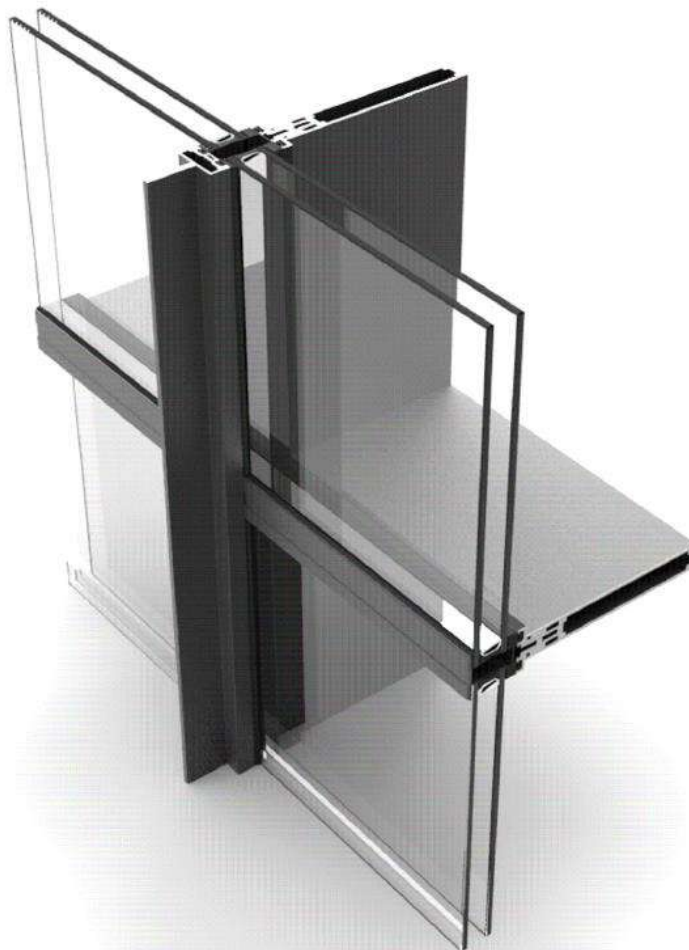
TTA

TETA ALUMINIUM IRAN CO.
ALUMINIUM PROFILE INDUSTRIAL

TETA S35 Curtain Wall System Slim Line

TETA S35 Curtain Wall System Slim Line

BUILDING SYSTEMS	CURTAIN WALL SYSTEM SLIM LINE	CATALOGUE	08-2020 REV-0
------------------	-------------------------------	-----------	------------------





توضیحات سیستم

سیستم مخصوصاً برای طراحی معماری مسکونی یا لوکس طراحی شده است. شیشه جدا شده با قاب های آلومینیومی تنها ۳۵ میلی متر عرض. این قاب باریکبخش رقیب خطوط دید قاب شیشه ای کمتر ساختاری! ظرفیت سیستم می تواند تا ارتفاع ۴,۰ متر و عرض تا ۱,۵ متر افزایش یابد. ظاهر باریک از داخل تنها ۲۰ میلی متر است که ظاهری باریک می دهد درخواست مشتریان سیستم با گزینه های مختلف درپوش در دسترس است



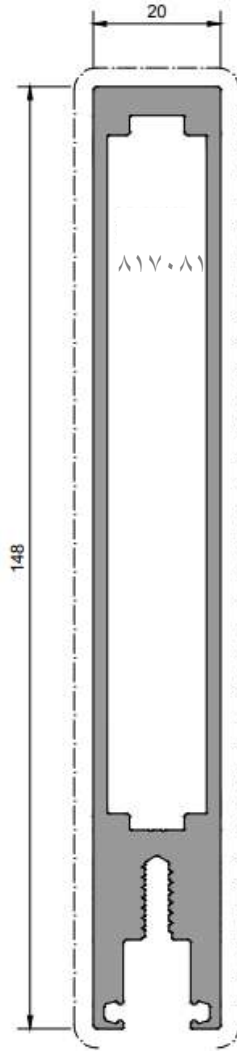
توضیحات سیستم

را طبق C گروه 2-10077 prEN مقادیر مطابق با Uf طبقه بندی / رتبه بندی ، کلاس DIN prEN 12152 بارگذاری کنید. هوا بندی طبق DIN 18055 ، کلاس R4، کلاس DIN prEN 12154 سفتی ضربه-باران طبق A4.

فهرست

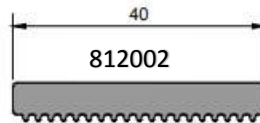
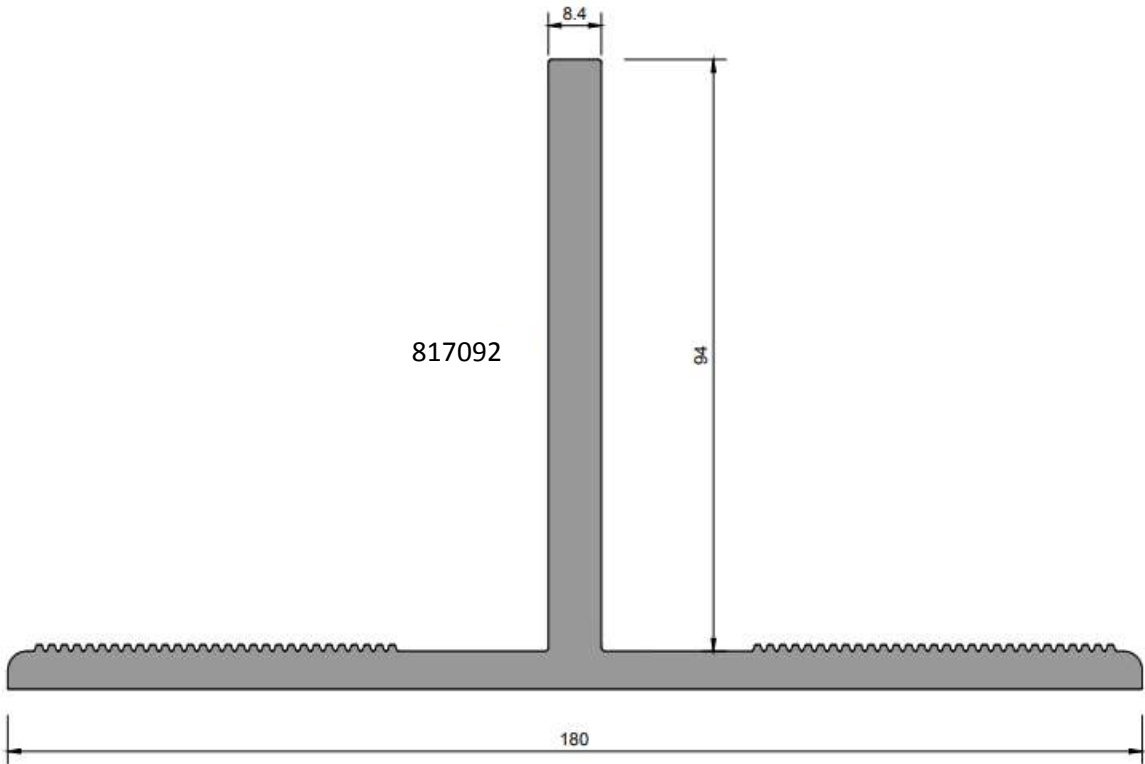
TETA S35

صفحه	توضیحات
۸ - ۵	پروفیل
۱۱ - ۰۹	سطح مقطع
۱۳ - ۱۲	جداول شیشه
۱۵ - ۱۴	تجهیزات جانبی
۱۹ - ۱۶	نماهای ایزومتریک سه بعدی
۳۲ - ۲۰	لیست برش ساخت و دستورالعمل نصب



Profile no.	Execution		Factory length (mm)	Angle bracket cutting				Angle bracket piece		Corner brace	Joint connectors set	Joint piece left/right	Spring pin Ang.br./Jt.con.
	anodized (mm)	mech. (mm)		Profile no.	Dimen. (mm)	Profile no.	Dimen. (mm)	inside	outside				
81V.81			9000							-	81V.81	-	-

Additional Profiles

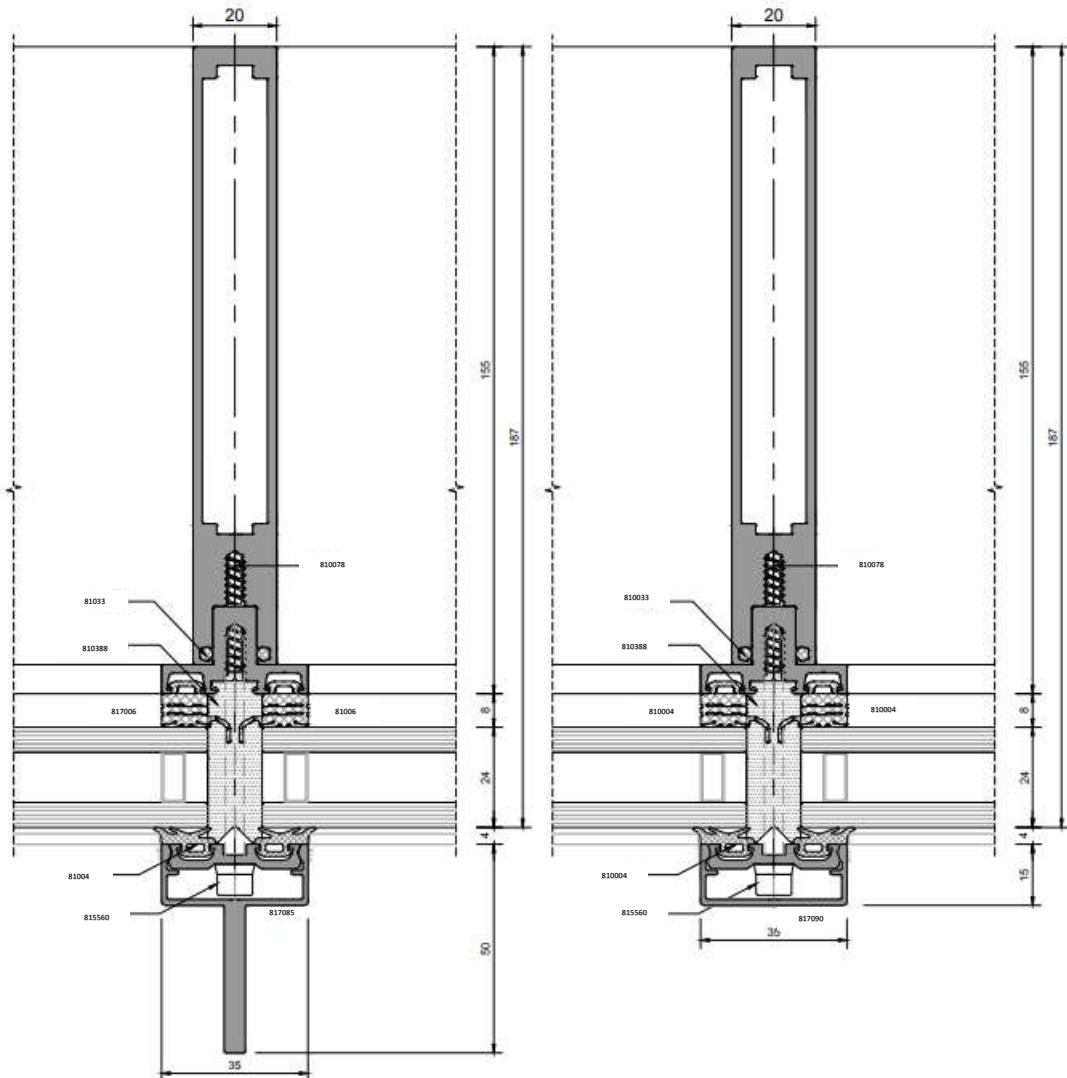
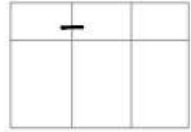


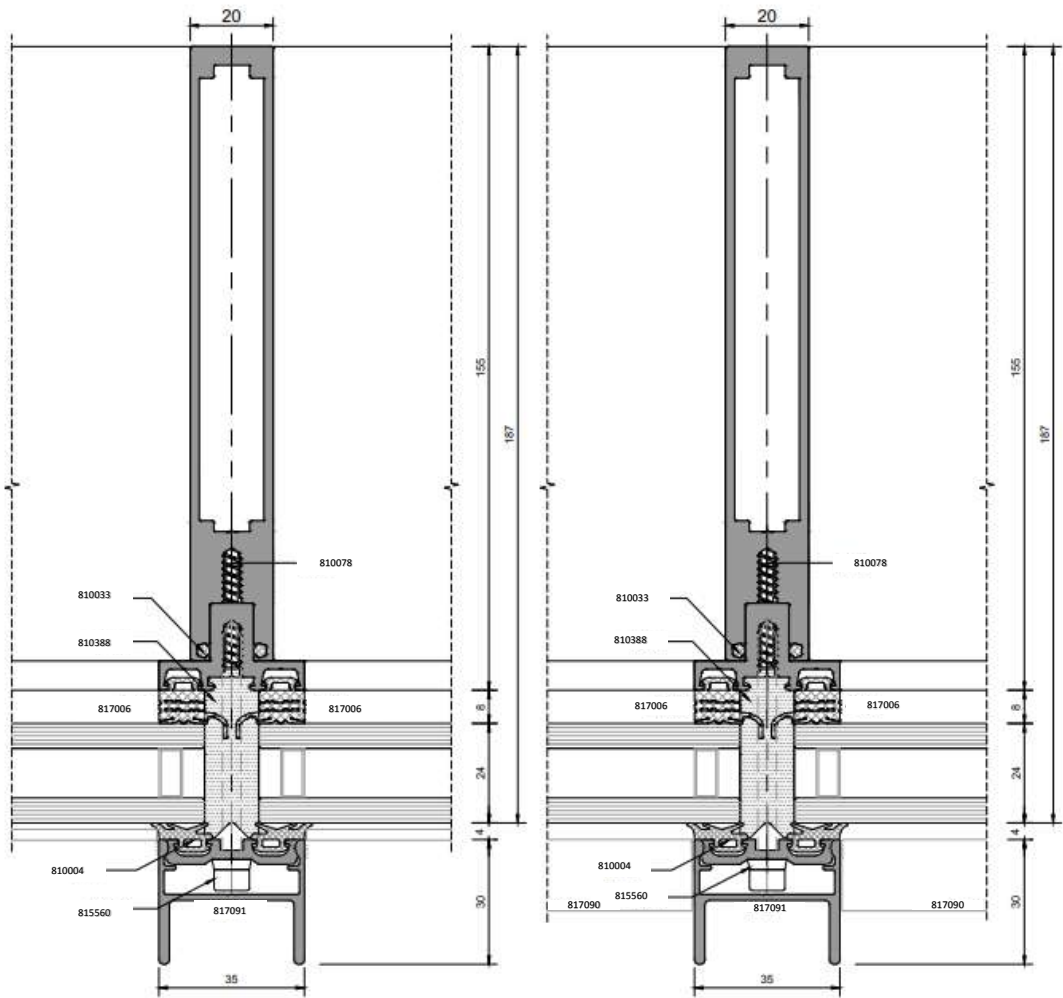
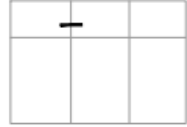
Profile no.	Name	Factory length	Angle bracket cutting				Angle bracket piece		Corner brace	Joint piece	Spring pin
			inside		outside		inside	outside			
		(mm)	Profile no.	Dimen. (mm)	Profile no.	Dimen. (mm)				left/right	Ang.br./Jlt.con.
817092	Shoe bracket	6000							-	-	-
812002	Washer	6000							-	-	-

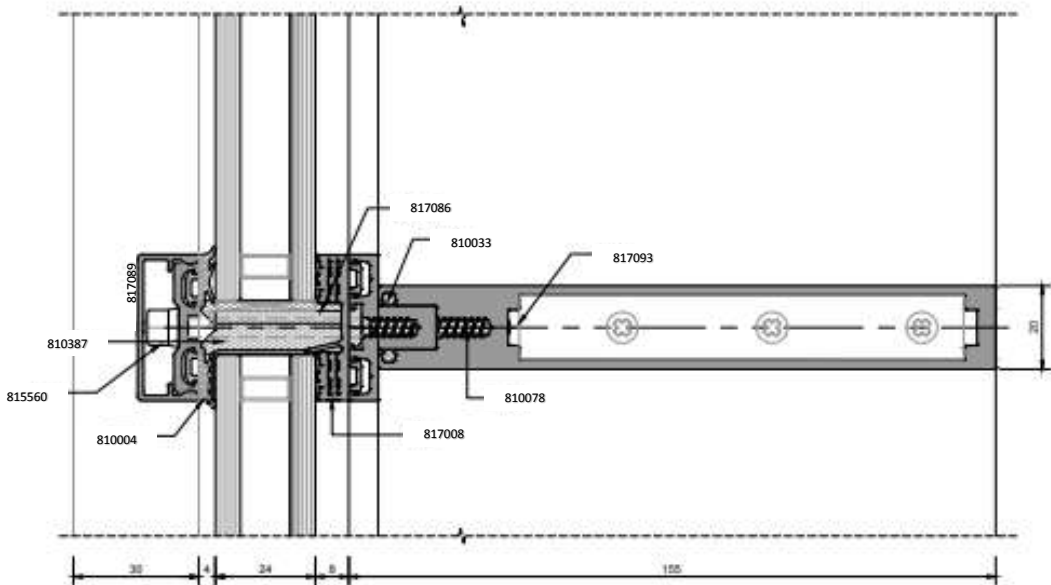
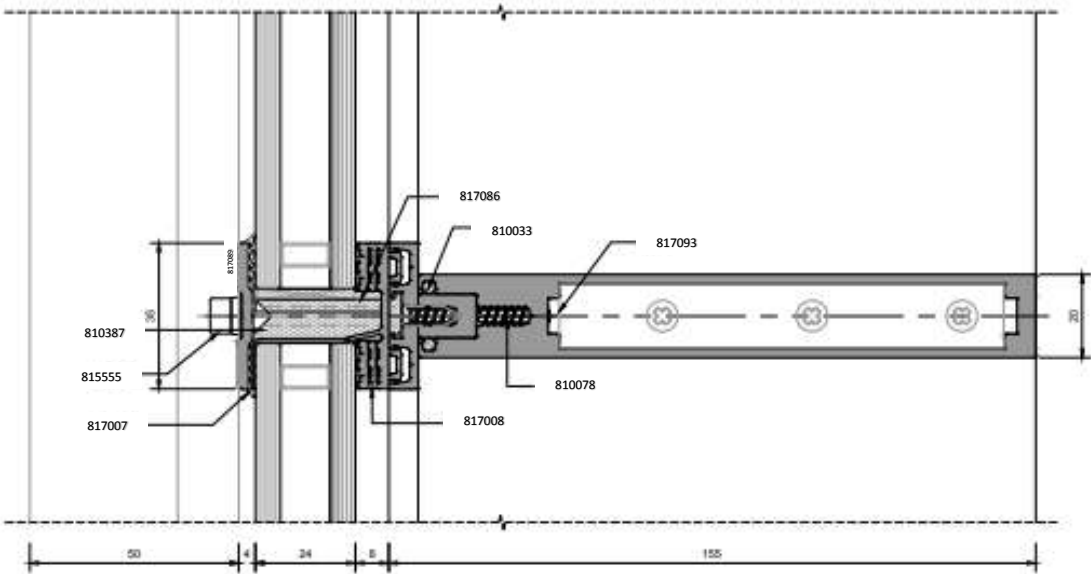
Note:

See Glazing Tables for panel thickness, gasket and screws.

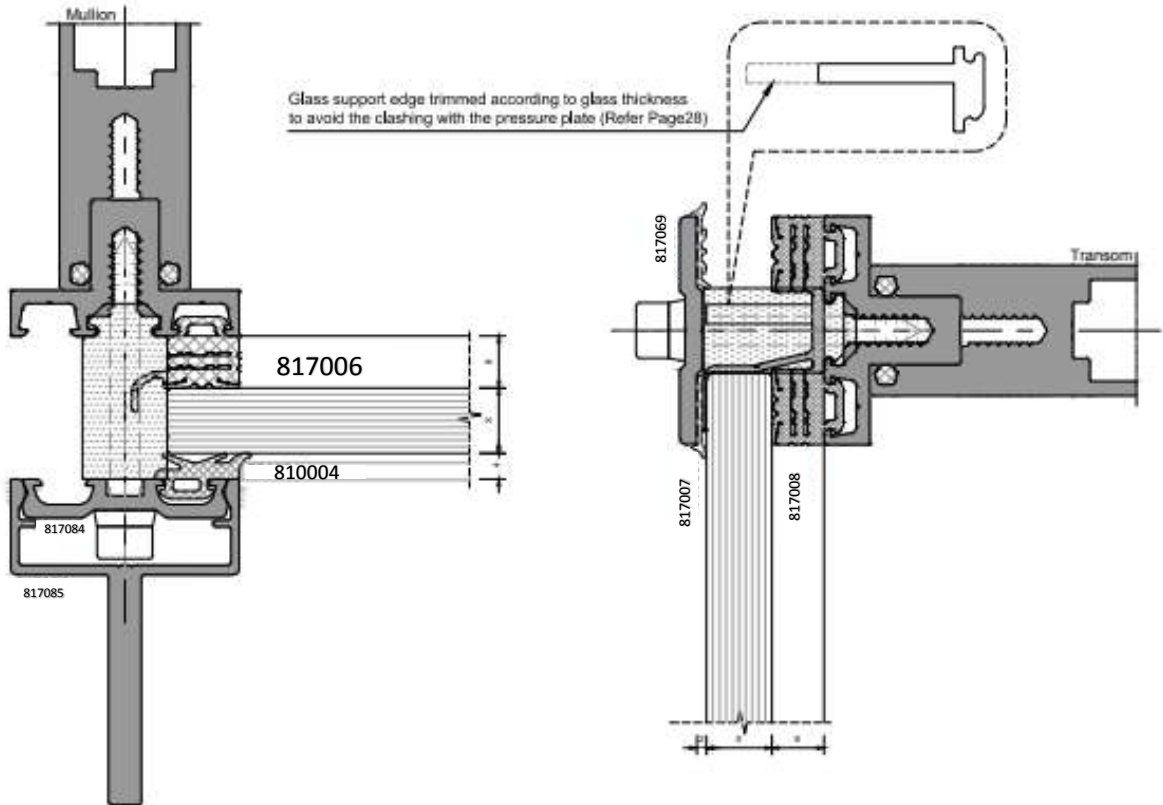
Always use mullion cover plates with greater structure heights than transom cover plates.







Panel thickness 10mm - 40 mm (With hor.pressure plate 217089)

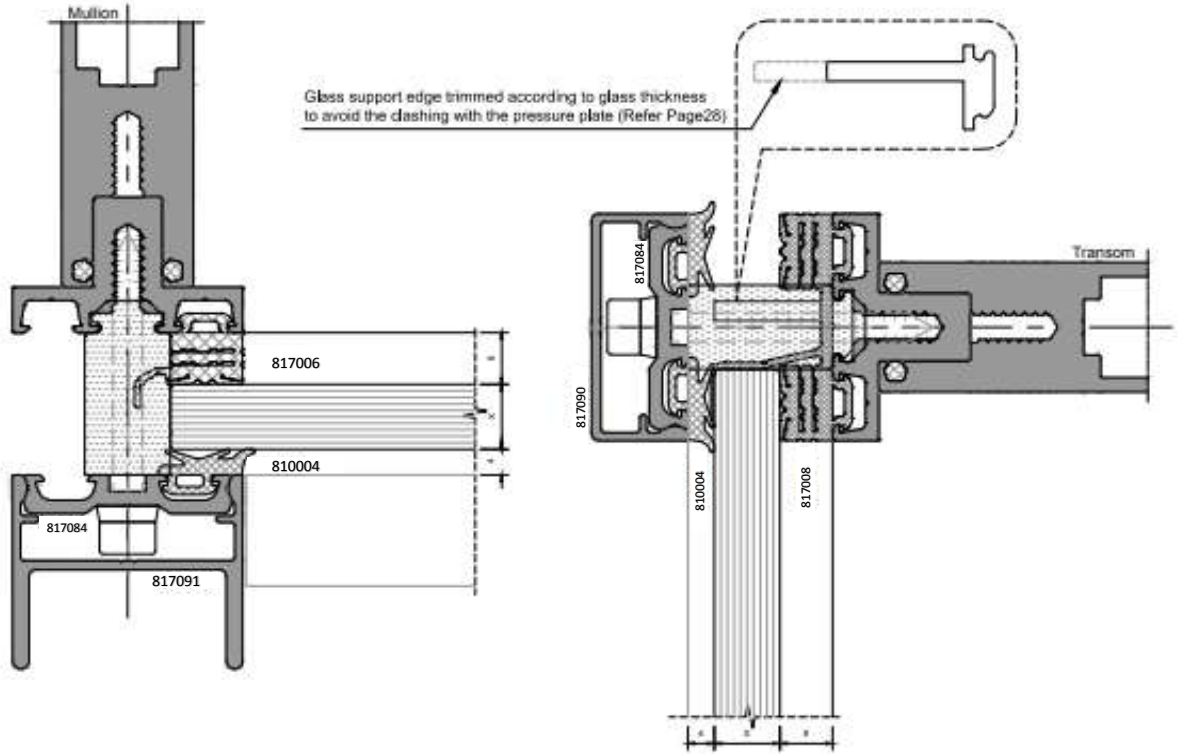


GLAZING TABLES										
GLASS THICKNESS "X"	OUTER GASKET MULLION	OUTER GASKET TRANSOM	INNER GASKET MULLION	INNER GASKET TRANSOM	CW - SCREW MULLION	CW - SCREW TRANSOM	GLASS SEATER	INSULATION IN THE MULLION	INSULATION IN THE TRANSOM	MAXIMUM GLASS WEIGHT
10 mm	750004	417007	417006	417008	815545	815538	217086	750385	750384	250 kg
12 mm	750004	417007	417006	417008	815545	815542	217086	750386	750385	250 kg
14 mm	750004	417007	417006	417008	815550	815542	217086	750386	750385	250 kg
16 mm	750004	417007	417006	417008	815550	815545	217086	750387	750386	250 kg
18 mm	750004	417007	417006	417008	815550	815545	217086	750387	750386	250 kg
20 mm	750004	417007	417006	417008	815555	815550	217086	750387	750386	250 kg
22 mm	750004	417007	417006	417008	815555	815550	217086	750387	750386	250 kg
24 mm	750004	417007	417006	417008	815560	815555	217086	750388	750387	250 kg
26 mm	750004	417007	417006	417008	815560	815555	217086	750388	750387	250 kg
28 mm	750004	417007	417006	417008	815560	815555	217086	750388	750387	250 kg
30 mm	750004	417007	417006	417008	815565	815560	219486	750388	750387	200 kg
32 mm	750004	417007	417006	417008	815565	815560	219486	750388	750388	200 kg
34 mm	750004	417007	417006	417008	815565	815560	219486	750388	750388	200 kg
36 mm	750004	417007	417006	417008	815570	815565	219486	750388	750388	200 kg
38 mm	750004	417007	417006	417008	815570	815565	219486	750388	750388	200 kg
40 mm	750004	417007	417006	417008	815575	815570	219486	750388	750388	200 kg

Note:

Please follow the specification for maximum glass weights when installing glass and panels.


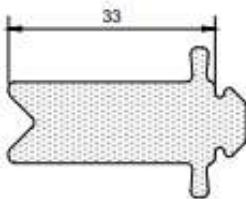
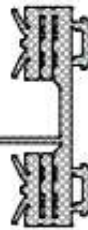
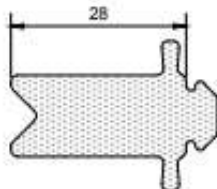

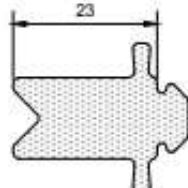

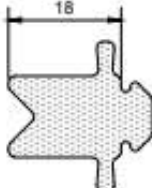

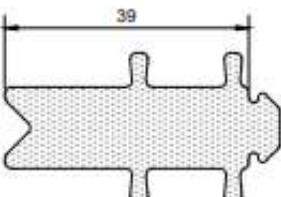
Panel thickness 10mm - 40 mm (With hor.pressure plate 217084)




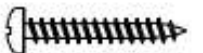


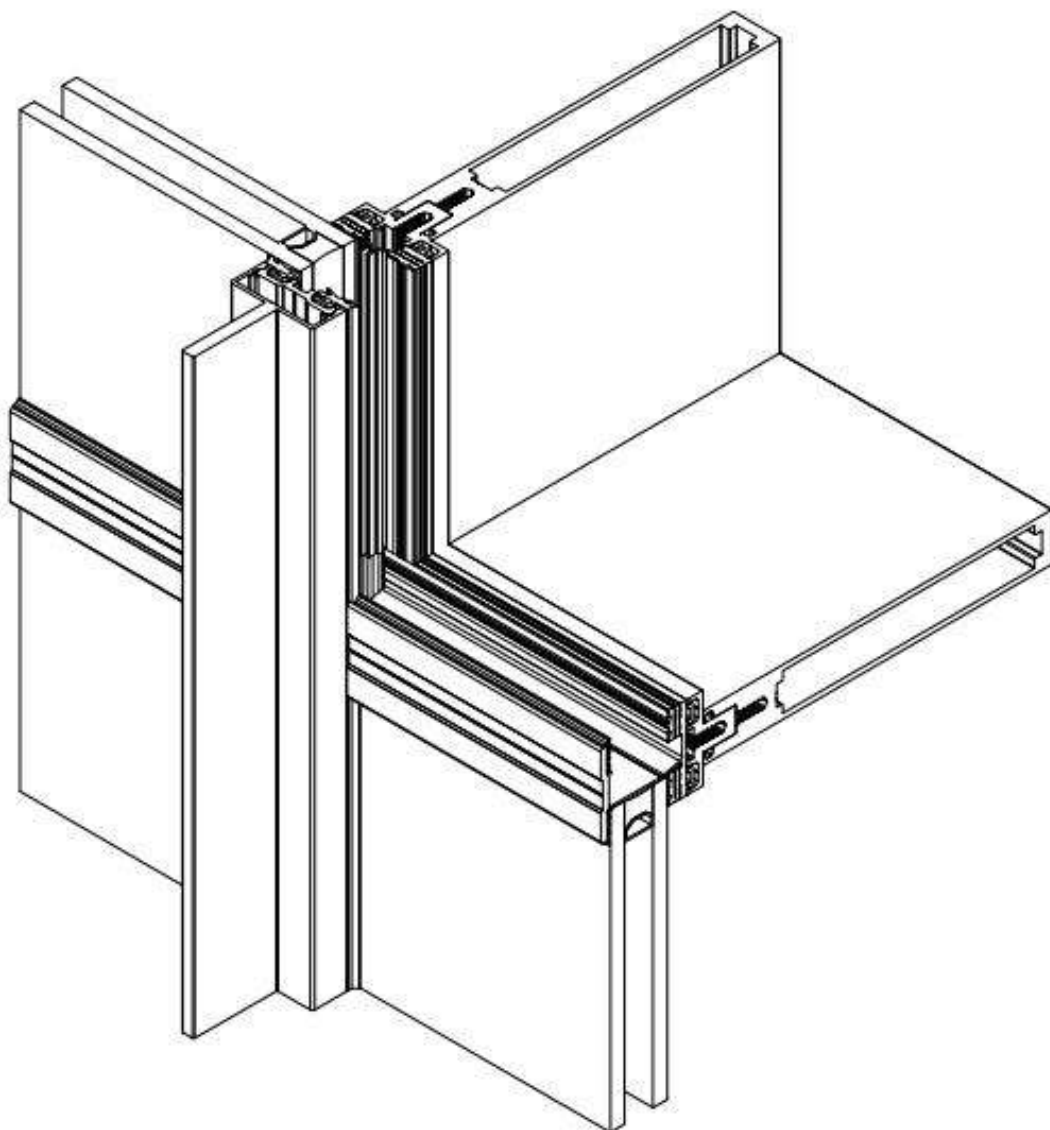
GLAZING TABLES										
GLASS THICKNESS 'X'	OUTER GASKET MULLION	OUTER GASKET TRANSOM	INNER GASKET MULLION	INNER GASKET TRANSOM	CW - SCREW MULLION	CW - SCREW TRANSOM	GLASS SEATER	INSULATION IN THE MULLION	INSULATION IN THE TRANSOM	MAXIMUM GLASS WEIGHT
10 mm	750004	417007	417006	417008	815545	815545	217086	750386	750384	250 kg
12 mm	750004	417007	417006	417008	815545	815545	217086	750386	750385	250 kg
14 mm	750004	417007	417006	417008	815550	815550	217086	750386	750385	250 kg
16 mm	750004	417007	417006	417008	815550	815550	217086	750387	750386	250 kg
18 mm	750004	417007	417006	417008	815550	815550	217086	750387	750386	250 kg
20 mm	750004	417007	417006	417008	815555	815555	217086	750387	750386	250 kg
22 mm	750004	417007	417006	417008	815555	815555	217086	750387	750386	250 kg
24 mm	750004	417007	417006	417008	815560	815560	217086	750388	750387	250 kg
26 mm	750004	417007	417006	417008	815560	815560	217086	750388	750387	250 kg
28 mm	750004	417007	417006	417008	815560	815560	217086	750388	750387	250 kg
30 mm	750004	417007	417006	417008	815565	815565	219486	750388	750387	200 kg
32 mm	750004	417007	417006	417008	815565	815565	219486	750388	750388	200 kg
34 mm	750004	417007	417006	417008	815565	815565	219486	750388	750388	200 kg
36 mm	750004	417007	417006	417008	815570	815570	219486	750388	750388	200 kg
38 mm	750004	417007	417006	417008	815570	815570	219486	750388	750388	200 kg
40 mm	750004	417007	417006	417008	815575	815575	219486	750388	750388	200 kg

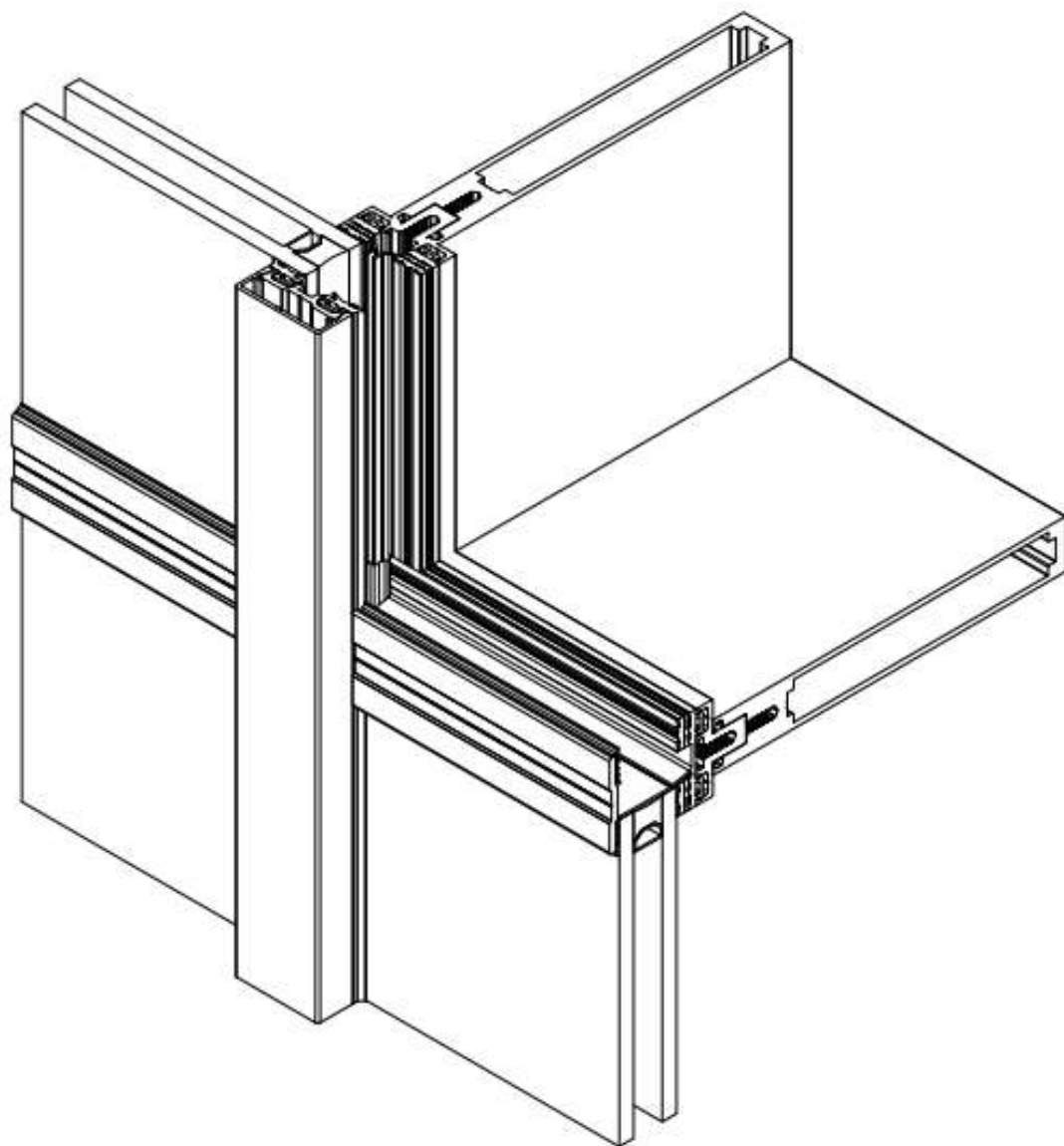
Note:

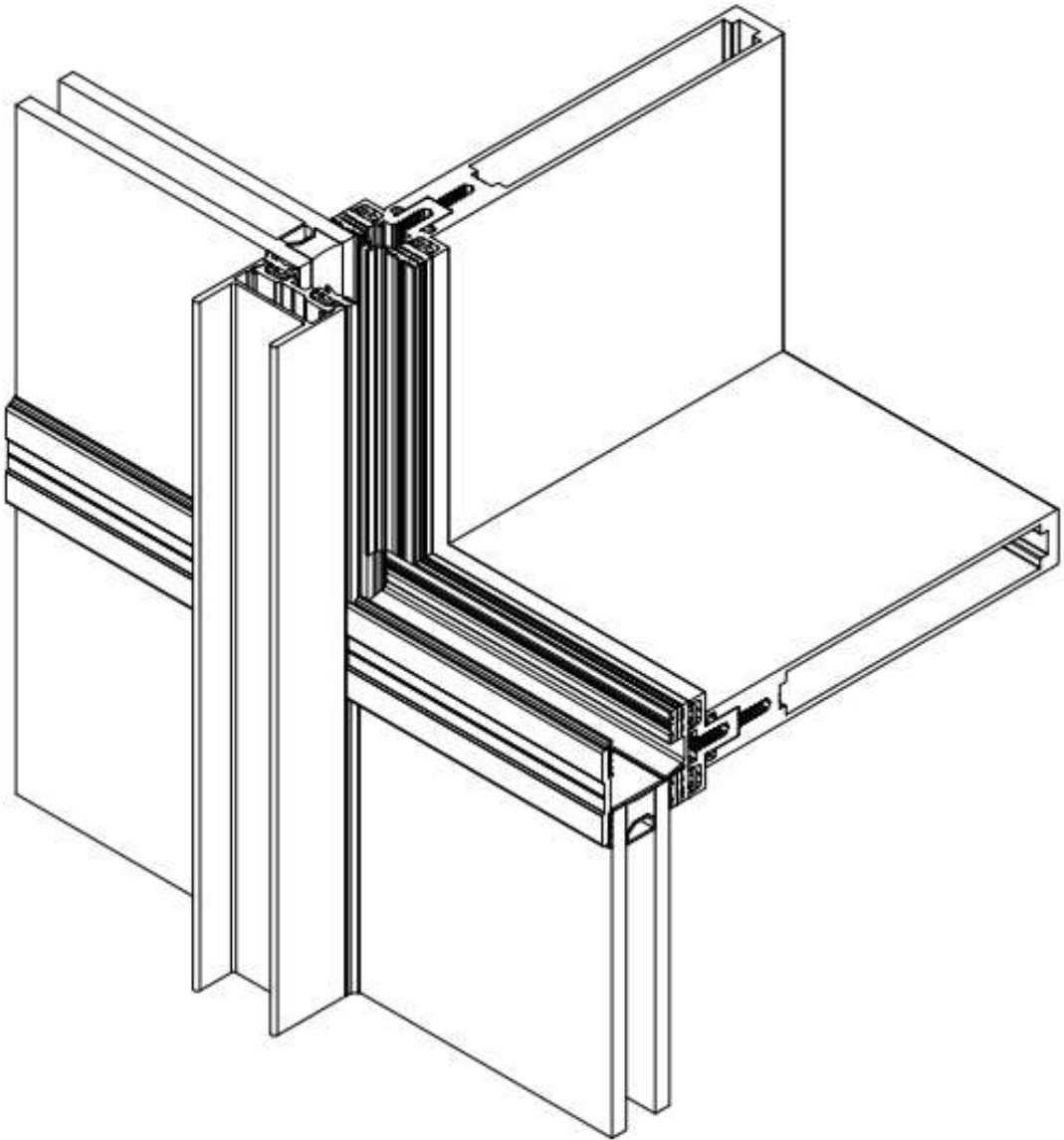
Please follow the specification for maximum filling weights when installing glass and panels.

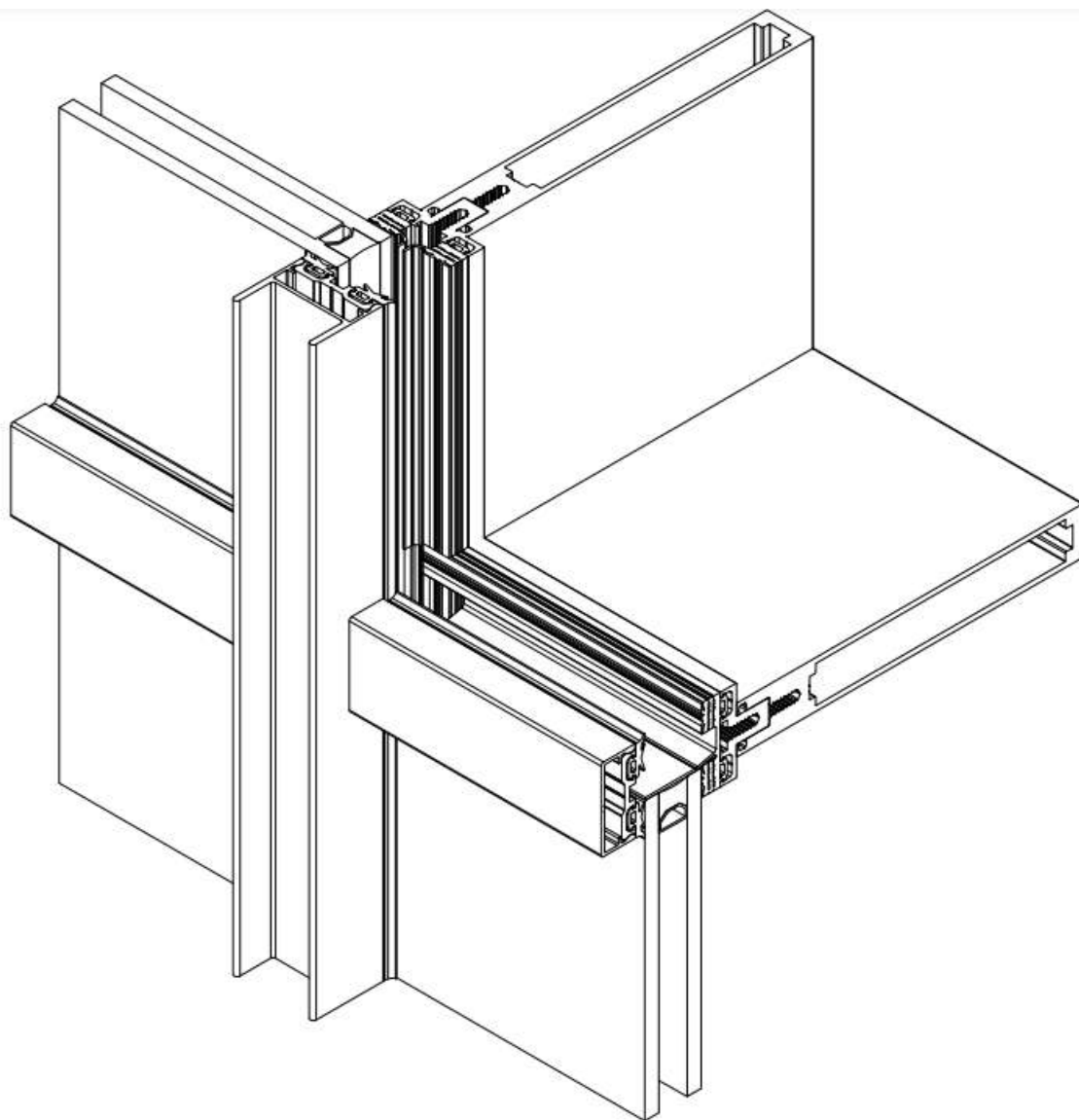
Item No.	PU	Designation, Use	Item No.	PU	Designation, Use
817006	100 m	<p>Glazing gasket EPDM black inner glazing gasket gap width = 8 mm</p> 	810387	50 m	<p>Insulating profile</p> 
817008	100 m	<p>Transom gasket EPDM black inner transom gap width = 8 mm</p> 	810386		<p>Insulating profile</p> 
817007	100 m	<p>Glazing gasket silicone black width = 1.5 mm</p> 	810385		<p>Insulating profile</p> 
810004	100 m	<p>Outer glazing gasket EPDM black straight pressure strip width = 4 mm</p> 	810384		<p>Insulating profile</p> 
810033	100 m	<p>Bootlace gasket 4 mm EPDM Black sealing cord</p> 			
810388	50 m	<p>Insulating profile</p> 			

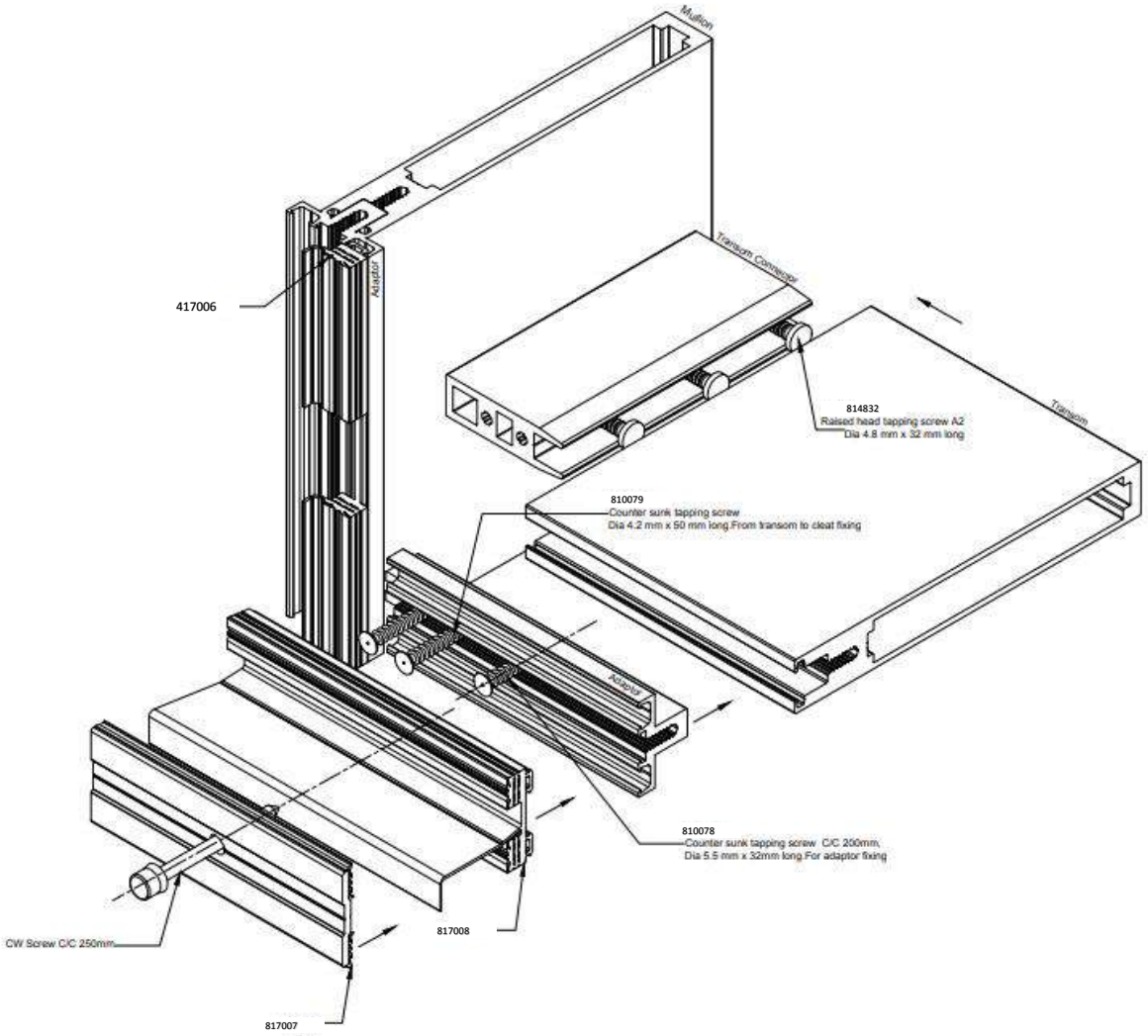
Item No.	PU		Material	Designation, Use, Instructions
815538	100 st		Stainless steel	Curtain wall screw with sealing disc A2 Dia 5.5 mm DIN 912 Screw drive - Torx Screw drive size - TX25 For pressure plate fixing
815542	100 st			
815545	100 st			
815550	100 st			
815555	100 st			
815560	100 st			
815565	100 st			
815570	100 st			
815575	100 st			
810078	100 st		Stainless steel	Counter sunk tapping screw Dia 5.5 mm x 32mm long DIN 7982 , Form C Screw drive - cross slot Screw drive size - 2 For adaptor fixing
810079	100 st			
814832	100 st		Stainless steel	Counter sunk tapping screw Dia 4.2 mm x 50 mm long DIN 7982 , Form C Screw drive - cross slot Screw drive size - 2 From transom to cleat fixing
			Stainless steel	Raised head tapping screw A2 Dia 4.8 mm x 32 mm long DIN 7981 , Form C Screw drive - cross slot Screw drive size - 2 For transom cleat fixing

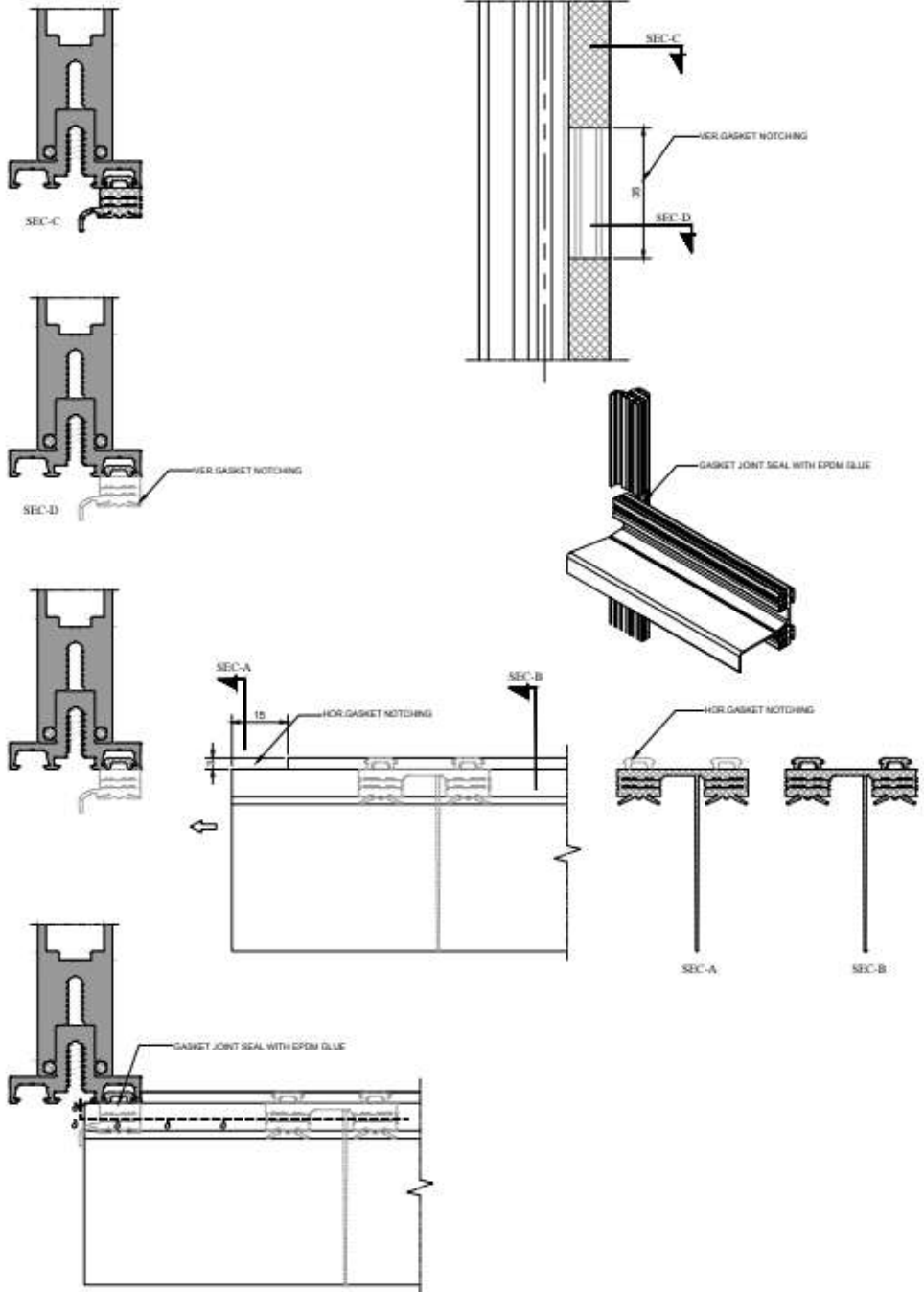


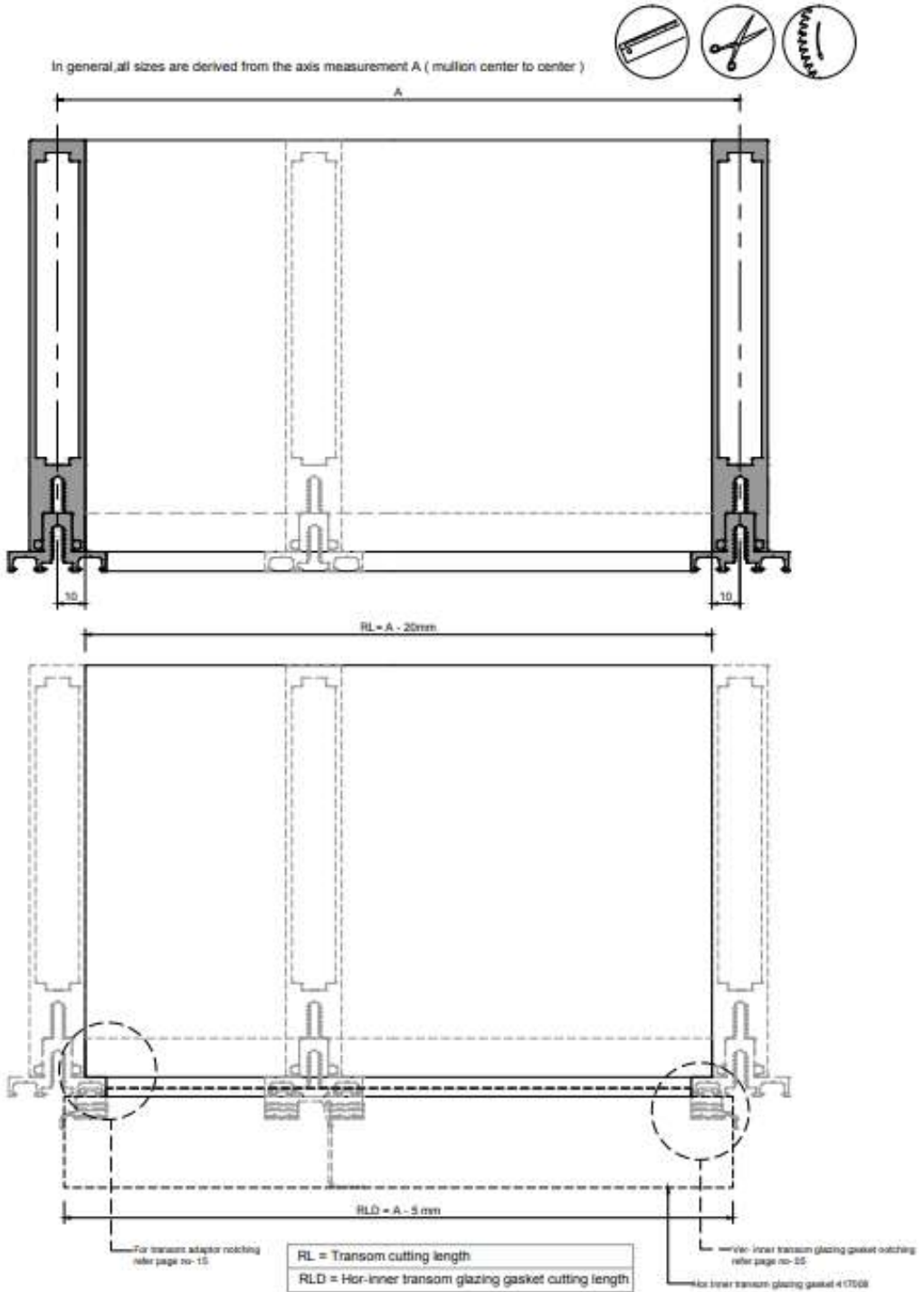


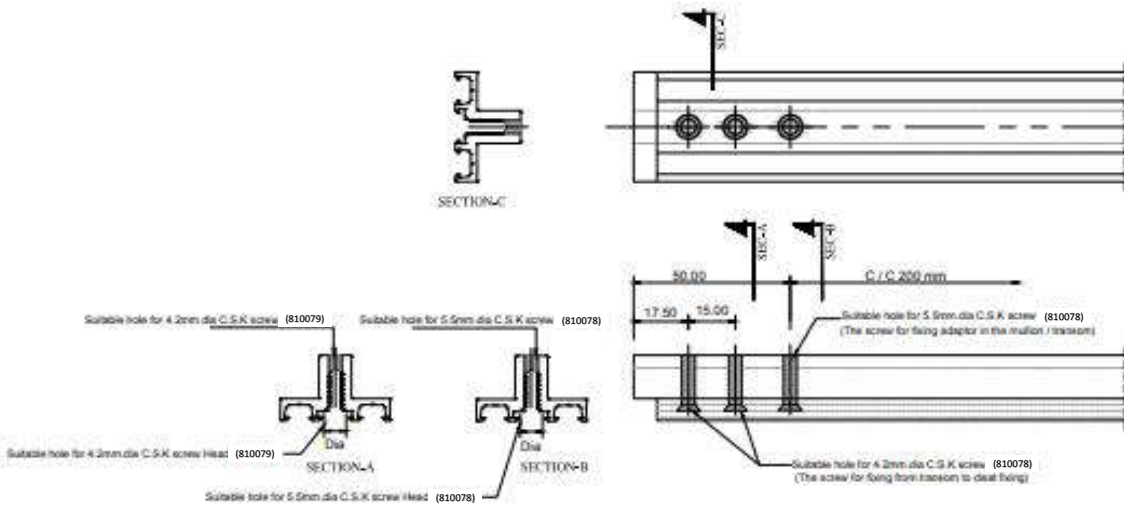
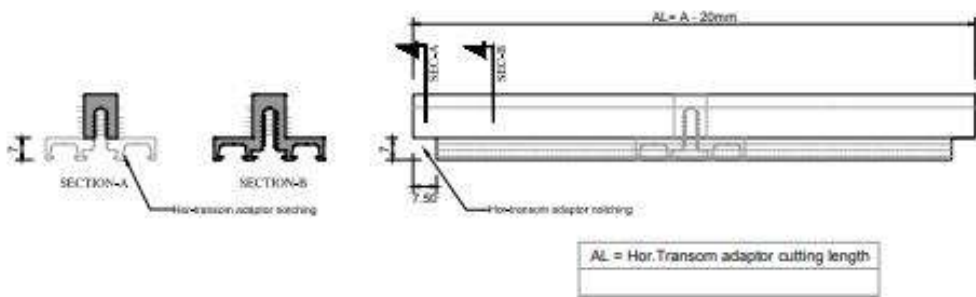


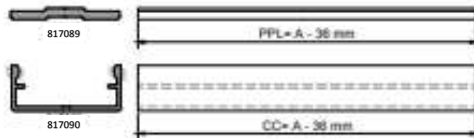
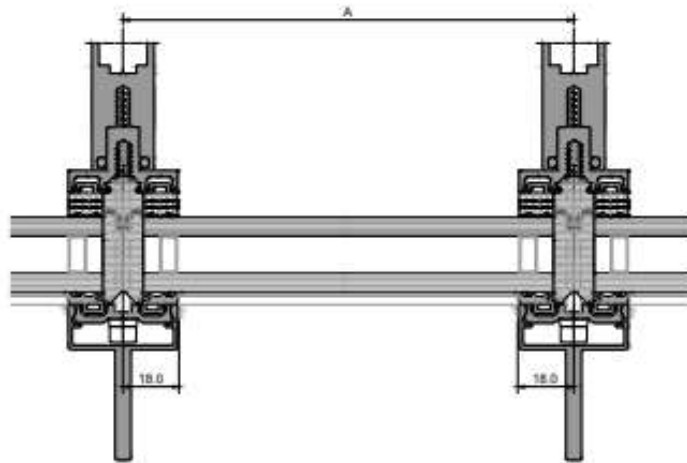
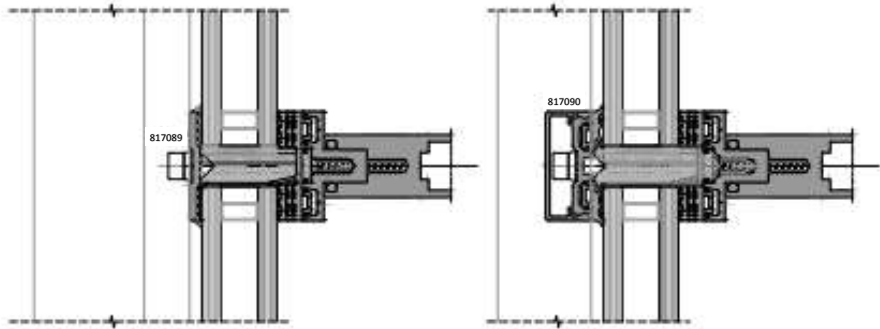




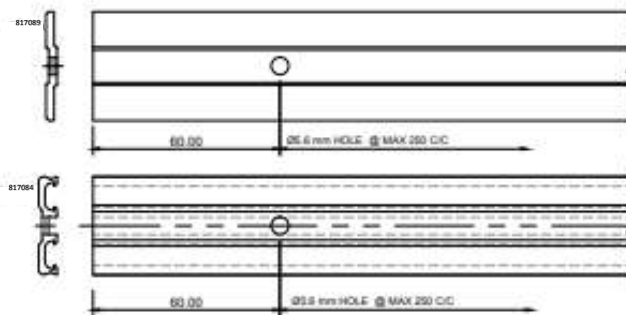


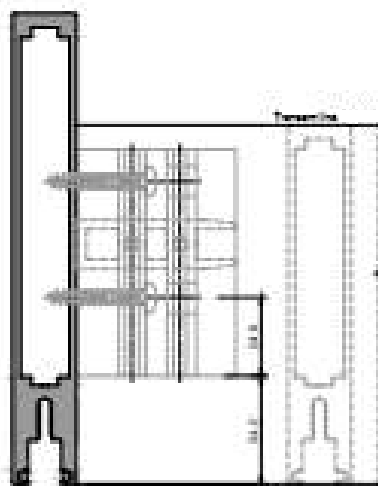
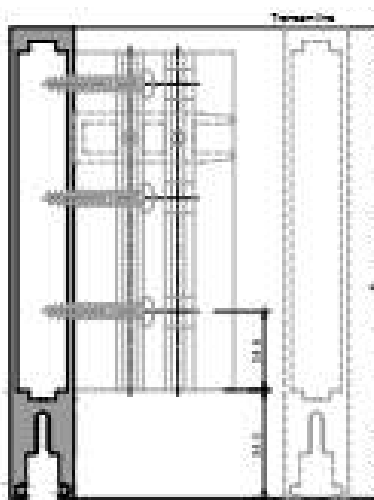
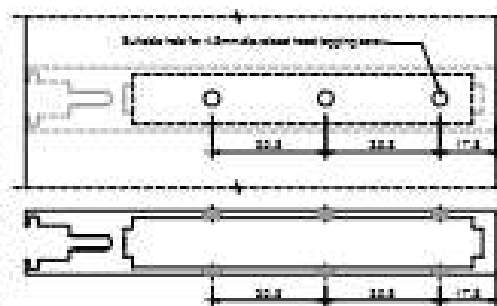
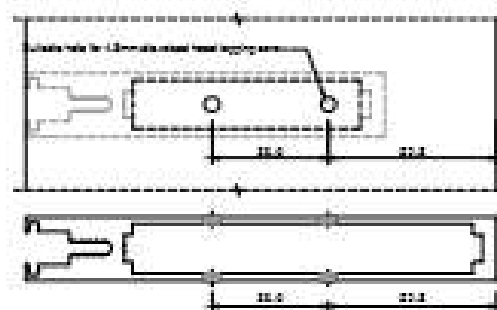
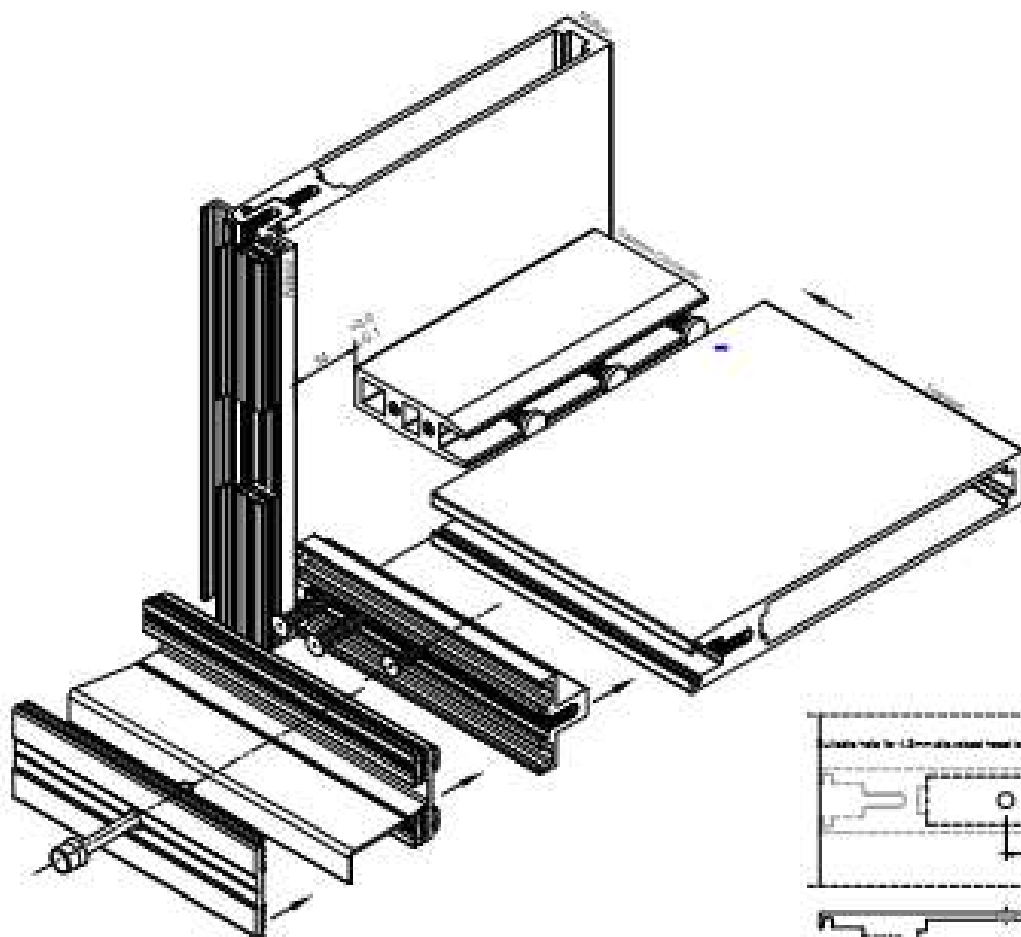


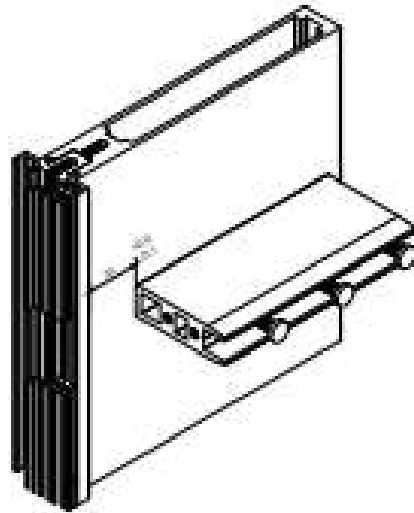




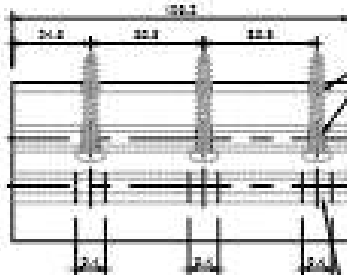
PPL = Hor. Pressure plate cutting length
 CC = Hor. Cover cap cutting length







Available size for DT100 frame

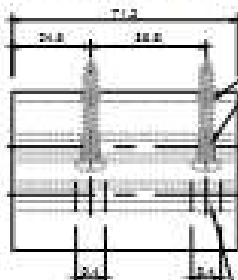


Available hole for 12mm aluminium thermal break system (DT100 Frame-C)

20mm hole available for glass thermal break system

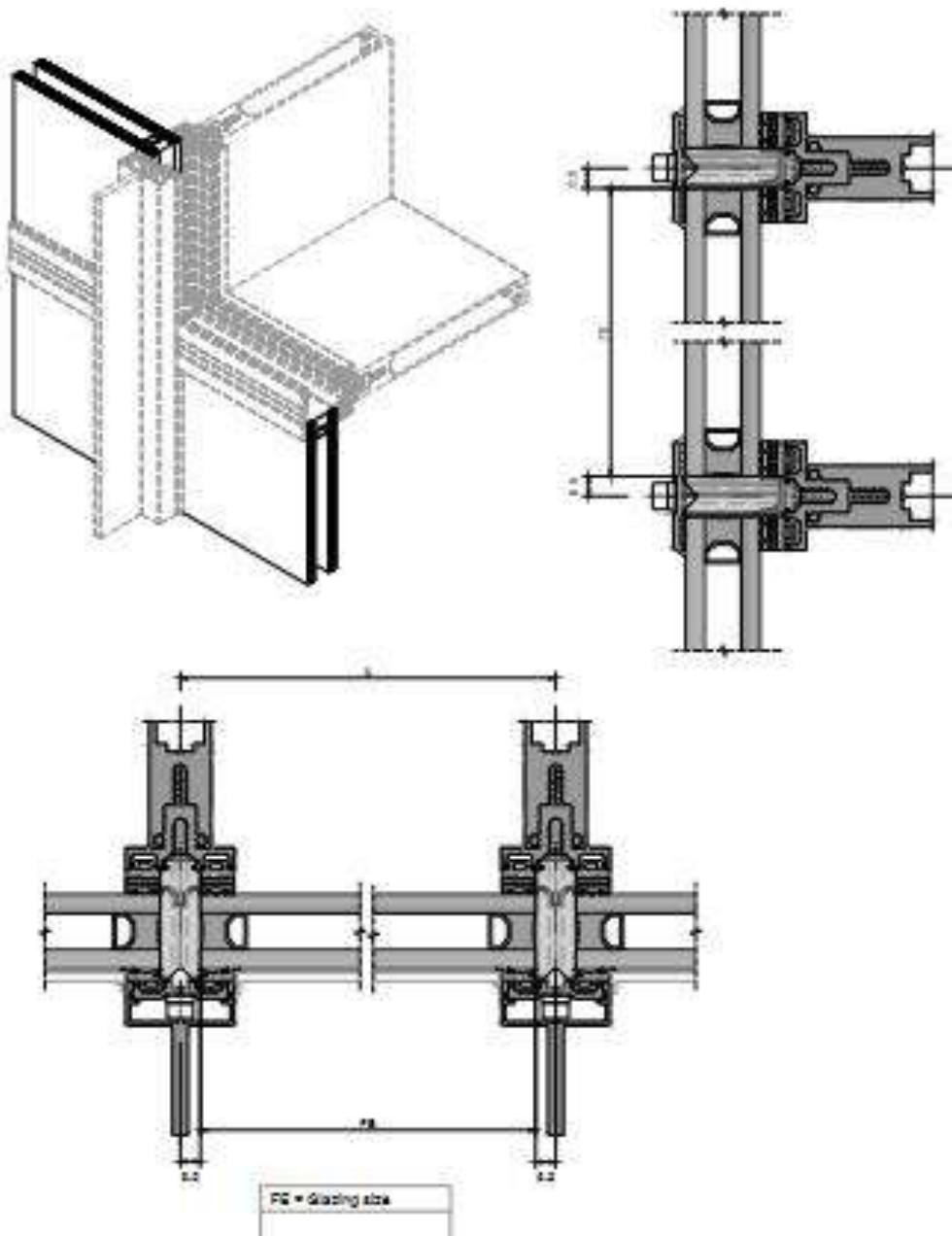


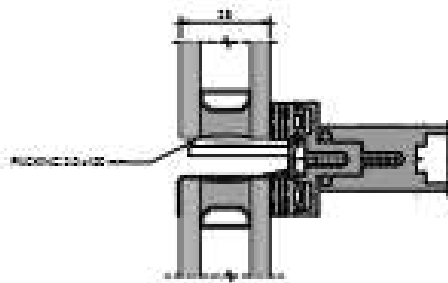
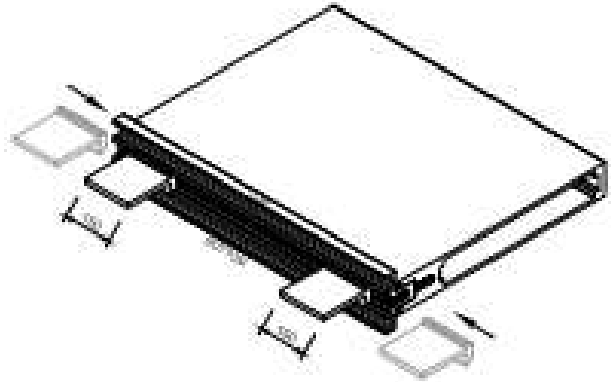
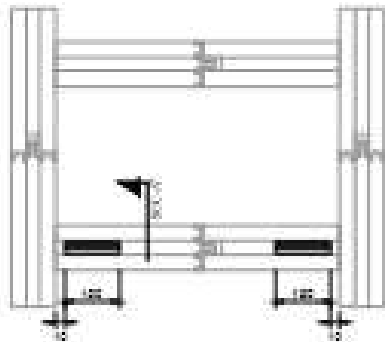
Available size for DT70 frame



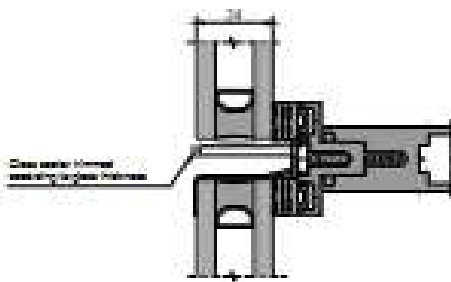
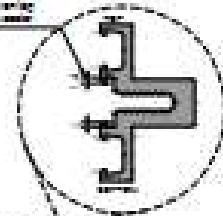
Available hole for 12mm aluminium thermal break system (DT70 Frame-C)

20mm hole available for glass thermal break system

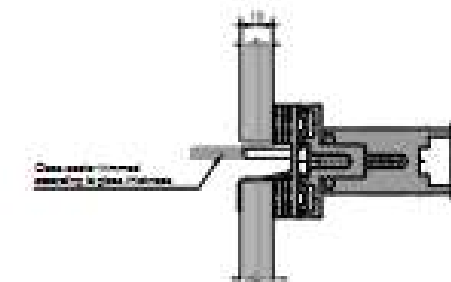
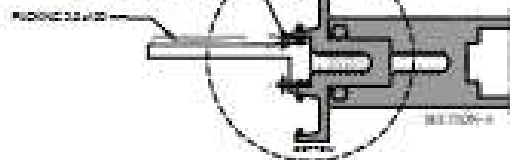





While in the installation of the tension glass
ensure that 1.0 mm gap (clearing)
for proper location of glass panel



While in the installation of the tension glass
ensure that 1.0 mm gap (clearing)
for proper location of glass panel

RUCONC 2.0 x 100		
GLASS THICKNESS	DEPTH FOR GASKET	GLASS WEIGHT
12 mm	18.0 mm	2175kg
15 mm	18.0 mm	2175kg
19 mm	18.0 mm	2175kg
23 mm	18.0 mm	2175kg
27 mm	18.0 mm	2175kg
31 mm	18.0 mm	2175kg
35 mm	18.0 mm	2175kg
39 mm	18.0 mm	2175kg
43 mm	18.0 mm	2175kg
47 mm	18.0 mm	2175kg
51 mm	18.0 mm	2175kg
55 mm	18.0 mm	2175kg
59 mm	18.0 mm	2175kg
63 mm	18.0 mm	2175kg
67 mm	18.0 mm	2175kg
71 mm	18.0 mm	2175kg
75 mm	18.0 mm	2175kg
79 mm	18.0 mm	2175kg
83 mm	18.0 mm	2175kg
87 mm	18.0 mm	2175kg
91 mm	18.0 mm	2175kg
95 mm	18.0 mm	2175kg
99 mm	18.0 mm	2175kg
103 mm	18.0 mm	2175kg
107 mm	18.0 mm	2175kg
111 mm	18.0 mm	2175kg
115 mm	18.0 mm	2175kg
119 mm	18.0 mm	2175kg
123 mm	18.0 mm	2175kg
127 mm	18.0 mm	2175kg
131 mm	18.0 mm	2175kg
135 mm	18.0 mm	2175kg
139 mm	18.0 mm	2175kg
143 mm	18.0 mm	2175kg
147 mm	18.0 mm	2175kg
151 mm	18.0 mm	2175kg
155 mm	18.0 mm	2175kg
159 mm	18.0 mm	2175kg
163 mm	18.0 mm	2175kg
167 mm	18.0 mm	2175kg
171 mm	18.0 mm	2175kg
175 mm	18.0 mm	2175kg
179 mm	18.0 mm	2175kg
183 mm	18.0 mm	2175kg
187 mm	18.0 mm	2175kg
191 mm	18.0 mm	2175kg
195 mm	18.0 mm	2175kg
199 mm	18.0 mm	2175kg
203 mm	18.0 mm	2175kg
207 mm	18.0 mm	2175kg
211 mm	18.0 mm	2175kg
215 mm	18.0 mm	2175kg
219 mm	18.0 mm	2175kg
223 mm	18.0 mm	2175kg
227 mm	18.0 mm	2175kg
231 mm	18.0 mm	2175kg
235 mm	18.0 mm	2175kg
239 mm	18.0 mm	2175kg
243 mm	18.0 mm	2175kg
247 mm	18.0 mm	2175kg
251 mm	18.0 mm	2175kg
255 mm	18.0 mm	2175kg
259 mm	18.0 mm	2175kg
263 mm	18.0 mm	2175kg
267 mm	18.0 mm	2175kg
271 mm	18.0 mm	2175kg
275 mm	18.0 mm	2175kg
279 mm	18.0 mm	2175kg
283 mm	18.0 mm	2175kg
287 mm	18.0 mm	2175kg
291 mm	18.0 mm	2175kg
295 mm	18.0 mm	2175kg
299 mm	18.0 mm	2175kg
303 mm	18.0 mm	2175kg
307 mm	18.0 mm	2175kg
311 mm	18.0 mm	2175kg
315 mm	18.0 mm	2175kg
319 mm	18.0 mm	2175kg
323 mm	18.0 mm	2175kg
327 mm	18.0 mm	2175kg
331 mm	18.0 mm	2175kg
335 mm	18.0 mm	2175kg
339 mm	18.0 mm	2175kg
343 mm	18.0 mm	2175kg
347 mm	18.0 mm	2175kg
351 mm	18.0 mm	2175kg
355 mm	18.0 mm	2175kg
359 mm	18.0 mm	2175kg
363 mm	18.0 mm	2175kg
367 mm	18.0 mm	2175kg
371 mm	18.0 mm	2175kg
375 mm	18.0 mm	2175kg
379 mm	18.0 mm	2175kg
383 mm	18.0 mm	2175kg
387 mm	18.0 mm	2175kg
391 mm	18.0 mm	2175kg
395 mm	18.0 mm	2175kg
399 mm	18.0 mm	2175kg
403 mm	18.0 mm	2175kg
407 mm	18.0 mm	2175kg
411 mm	18.0 mm	2175kg
415 mm	18.0 mm	2175kg
419 mm	18.0 mm	2175kg
423 mm	18.0 mm	2175kg
427 mm	18.0 mm	2175kg
431 mm	18.0 mm	2175kg
435 mm	18.0 mm	2175kg
439 mm	18.0 mm	2175kg
443 mm	18.0 mm	2175kg
447 mm	18.0 mm	2175kg
451 mm	18.0 mm	2175kg
455 mm	18.0 mm	2175kg
459 mm	18.0 mm	2175kg
463 mm	18.0 mm	2175kg
467 mm	18.0 mm	2175kg
471 mm	18.0 mm	2175kg
475 mm	18.0 mm	2175kg
479 mm	18.0 mm	2175kg
483 mm	18.0 mm	2175kg
487 mm	18.0 mm	2175kg
491 mm	18.0 mm	2175kg
495 mm	18.0 mm	2175kg
499 mm	18.0 mm	2175kg
503 mm	18.0 mm	2175kg
507 mm	18.0 mm	2175kg
511 mm	18.0 mm	2175kg
515 mm	18.0 mm	2175kg
519 mm	18.0 mm	2175kg
523 mm	18.0 mm	2175kg
527 mm	18.0 mm	2175kg
531 mm	18.0 mm	2175kg
535 mm	18.0 mm	2175kg
539 mm	18.0 mm	2175kg
543 mm	18.0 mm	2175kg
547 mm	18.0 mm	2175kg
551 mm	18.0 mm	2175kg
555 mm	18.0 mm	2175kg
559 mm	18.0 mm	2175kg
563 mm	18.0 mm	2175kg
567 mm	18.0 mm	2175kg
571 mm	18.0 mm	2175kg
575 mm	18.0 mm	2175kg
579 mm	18.0 mm	2175kg
583 mm	18.0 mm	2175kg
587 mm	18.0 mm	2175kg
591 mm	18.0 mm	2175kg
595 mm	18.0 mm	2175kg
599 mm	18.0 mm	2175kg
603 mm	18.0 mm	2175kg
607 mm	18.0 mm	2175kg
611 mm	18.0 mm	2175kg
615 mm	18.0 mm	2175kg
619 mm	18.0 mm	2175kg
623 mm	18.0 mm	2175kg
627 mm	18.0 mm	2175kg
631 mm	18.0 mm	2175kg
635 mm	18.0 mm	2175kg
639 mm	18.0 mm	2175kg
643 mm	18.0 mm	2175kg
647 mm	18.0 mm	2175kg
651 mm	18.0 mm	2175kg
655 mm	18.0 mm	2175kg
659 mm	18.0 mm	2175kg
663 mm	18.0 mm	2175kg
667 mm	18.0 mm	2175kg
671 mm	18.0 mm	2175kg
675 mm	18.0 mm	2175kg
679 mm	18.0 mm	2175kg
683 mm	18.0 mm	2175kg
687 mm	18.0 mm	2175kg
691 mm	18.0 mm	2175kg
695 mm	18.0 mm	2175kg
699 mm	18.0 mm	2175kg
703 mm	18.0 mm	2175kg
707 mm	18.0 mm	2175kg
711 mm	18.0 mm	2175kg
715 mm	18.0 mm	2175kg
719 mm	18.0 mm	2175kg
723 mm	18.0 mm	2175kg
727 mm	18.0 mm	2175kg
731 mm	18.0 mm	2175kg
735 mm	18.0 mm	2175kg
739 mm	18.0 mm	2175kg
743 mm	18.0 mm	2175kg
747 mm	18.0 mm	2175kg
751 mm	18.0 mm	2175kg
755 mm	18.0 mm	2175kg
759 mm	18.0 mm	2175kg
763 mm	18.0 mm	2175kg
767 mm	18.0 mm	2175kg
771 mm	18.0 mm	2175kg
775 mm	18.0 mm	2175kg
779 mm	18.0 mm	2175kg
783 mm	18.0 mm	2175kg
787 mm	18.0 mm	2175kg
791 mm	18.0 mm	2175kg
795 mm	18.0 mm	2175kg
799 mm	18.0 mm	2175kg
803 mm	18.0 mm	2175kg
807 mm	18.0 mm	2175kg
811 mm	18.0 mm	2175kg
815 mm	18.0 mm	2175kg
819 mm	18.0 mm	2175kg
823 mm	18.0 mm	2175kg
827 mm	18.0 mm	2175kg
831 mm	18.0 mm	2175kg
835 mm	18.0 mm	2175kg
839 mm	18.0 mm	2175kg
843 mm	18.0 mm	2175kg
847 mm	18.0 mm	2175kg
851 mm	18.0 mm	2175kg
855 mm	18.0 mm	2175kg
859 mm	18.0 mm	2175kg
863 mm	18.0 mm	2175kg
867 mm	18.0 mm	2175kg
871 mm	18.0 mm	2175kg
875 mm	18.0 mm	2175kg
879 mm	18.0 mm	2175kg
883 mm	18.0 mm	2175kg
887 mm	18.0 mm	2175kg
891 mm	18.0 mm	2175kg
895 mm	18.0 mm	2175kg
899 mm	18.0 mm	2175kg
903 mm	18.0 mm	2175kg
907 mm	18.0 mm	2175kg
911 mm	18.0 mm	2175kg
915 mm	18.0 mm	2175kg
919 mm	18.0 mm	2175kg
923 mm	18.0 mm	2175kg
927 mm	18.0 mm	2175kg
931 mm	18.0 mm	2175kg
935 mm	18.0 mm	2175kg
939 mm	18.0 mm	2175kg
943 mm	18.0 mm	2175kg
947 mm	18.0 mm	2175kg
951 mm	18.0 mm	2175kg
955 mm	18.0 mm	2175kg
959 mm	18.0 mm	2175kg
963 mm	18.0 mm	2175kg
967 mm	18.0 mm	2175kg
971 mm	18.0 mm	2175kg
975 mm	18.0 mm	2175kg
979 mm	18.0 mm	2175kg
983 mm	18.0 mm	2175kg
987 mm	18.0 mm	2175kg
991 mm	18.0 mm	2175kg
995 mm	18.0 mm	2175kg
999 mm	18.0 mm	2175kg

